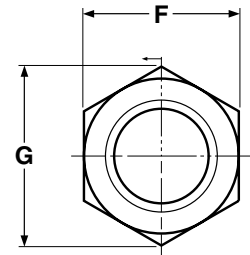
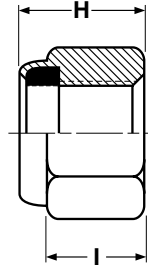




# Nuts

## Nylon Insert Lock Nuts - Standard Pattern



Nominal Size or Basic Thread Diameter		F			H		I	G
		Width Across Flats			Thickness		Side Height	Width Across Corners
		Basic	Max	Min	Max	Min	Ref	Ref
2	0.0860	1/4	0.251	0.243	0.153	0.133	0.081	0.268
4	0.1120	1/4	0.251	0.243	0.153	0.133	0.081	0.268
5	0.1250	1/4	0.251	0.243	0.153	0.133	0.081	0.268
6	0.1380	5/16	0.313	0.305	0.188	0.168	0.103	0.339
8	0.1640	11/32	0.345	0.336	0.239	0.219	0.140	0.374
10	0.1900	3/8	0.376	0.367	0.249	0.229	0.140	0.410
1/4	0.2500	7/16	0.439	0.430	0.328	0.298	0.225	0.482
5/16	0.3125	1/2	0.502	0.492	0.359	0.329	0.250	0.552
3/8	0.3750	9/16	0.564	0.553	0.468	0.438	0.335	0.622
7/16	0.4375	5/8	0.627	0.616	0.468	0.438	0.324	0.698
1/2	0.5000	3/4	0.752	0.741	0.609	0.579	0.464	0.837
9/16	0.5625	7/8	0.877	0.865	0.656	0.626	0.469	0.978
5/8	0.6250	15/16	0.940	0.928	0.765	0.735	0.593	1.051
3/4	0.7500	1-1/8	1.064	1.052	0.890	0.860	0.742	1.191
7/8	0.8750	1-5/16	1.252	1.239	0.999	0.969	0.790	1.403
1	1.0000	1-1/2	1.440	1.427	1.078	1.016	0.825	1.615
1-1/8	1.1250	1-11/16	1.627	1.614	1.203	1.141	0.930	1.826
1-1/4	1.2500	1-7/8	1.815	1.801	1.422	1.360	1.125	2.038
1-1/2	1.5000	2-1/4	2.197	2.159	1.640	1.578	1.313	2.444

**The value-added source for quality bolts, screws, nuts, washers and other industrial fasteners.**

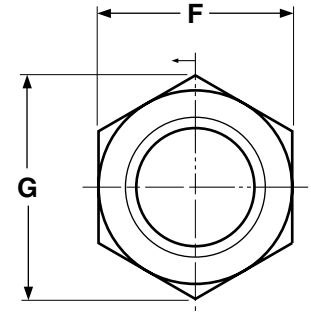
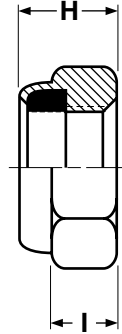
3211 West 9th Street, Trainer, PA 19061-5242 TOLL FREE: 1-800-662-7459 LOCAL: 610-485-5700 FAX: 610-485-5877

E-MAIL: [sales@coburnmyers.com](mailto:sales@coburnmyers.com)



# Nuts

## Nylon Insert Lock Nuts - Thin Pattern



Nominal Size or Basic Thread Diameter		F			H		I	G
		Width Across Flats			Thickness		Side Height	Width Across Corners
		Basic	Max	Min	Max	Min	Ref	Ref
4	0.1120	1/4	0.251	0.243	0.124	0.094	0.075	0.268
6	0.1380	5/16	0.313	0.305	0.140	0.110	0.090	0.339
8	0.1640	11/32	0.345	0.336	0.187	0.157	0.110	0.374
10	0.1900	3/8	0.376	0.367	0.187	0.157	0.110	0.410
1/4	0.2500	7/16	0.439	0.430	0.218	0.188	0.125	0.482
5/16	0.3125	1/2	0.502	0.492	0.265	0.235	0.158	0.552
3/8	0.3750	9/16	0.564	0.553	0.281	0.251	0.150	0.622
7/16	0.4375	5/8	0.627	0.615	0.328	0.298	0.225	0.694
1/2	0.5000	3/4	0.752	0.741	0.328	0.298	0.190	0.837
9/16	0.5625	7/8	0.877	0.865	0.374	0.344	0.225	0.978
5/8	0.6250	15/16	0.940	0.928	0.406	0.376	0.265	1.051
3/4	0.7500	1-1/8	1.064	1.052	0.421	0.391	0.288	1.191

**The value-added source for quality bolts, screws, nuts, washers and other industrial fasteners.**

3211 West 9th Street, Trainer, PA 19061-5242 TOLL FREE: 1-800-662-7459 LOCAL: 610-485-5700 FAX: 610-485-5877

E-MAIL: [sales@coburnmyers.com](mailto:sales@coburnmyers.com)